

N-Channel Enhancement Mode MOSFET

1. Product Information

1.1 Features

- Surface-mounted package
- Advanced trench cell design

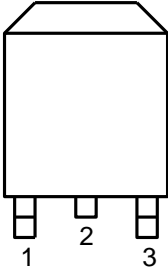
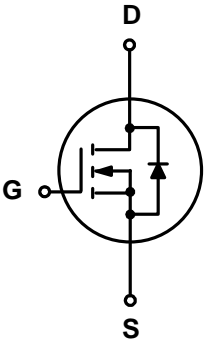
1.2 Applications

- LCD TV appliances
- High power inverter system
- LCDM appliances

1.3 Quick reference

- $BV \geq 60\text{ V}$
- $R_{DS(ON)} \leq 8.0\text{ m}\Omega @ V_{GS} = 10\text{ V}$
- $P_{tot} \leq 110\text{ W}$
- $I_D \leq 80\text{ A}$

2. Pin Description

| Pin | Description | Simplified Outline | Symbol |
|-----|-------------|---|---|
| 1 | Gate(G) |  <p>Top View TO-252</p> |  |
| 2 | Drain(D) | | |
| 3 | Source(S) | | |



3. Limiting Values

| Symbol | Parameter | Conditions | Min | Max | Unit |
|----------------------------------|---|---|-----|------|------|
| V _{DS} | Drain-Source Voltage | T _C = 25 °C | 60 | - | V |
| V _{GS} | Gate-Source Voltage | T _C = 25 °C | - | ±20 | V |
| I _D ^{***} | Drain Current (DC) | T _C = 25 °C, V _{GS} = 10 V | - | 80 | A |
| | | T _C = 100 °C, V _{GS} = 10 V | - | 60 | A |
| I _{DM} ^{*,***} | Drain Current (Pulsed) | T _C = 25 °C, V _{GS} = 10 V | - | 320 | A |
| P _{tot} | Drain power dissipation | T _C = 25 °C | - | 110 | W |
| T _{stg} | Storage Temperature | | -55 | 150 | °C |
| T _J | Junction Temperature | | - | 150 | °C |
| I _S | Continuous-Source Current | T _C = 25 °C | - | 80 | A |
| E _{AS} | Single Pulsed Avalanche Energy | L=0.5mH, I _{as} =30A, T _J =25°C | | 390 | mJ |
| R _{θJA} ^{**} | Thermal Resistance- Junction to Ambient | | - | 62.5 | °C/W |
| R _{θJC} ^{**} | Thermal Resistance- Junction to Case | | - | 1.36 | |

Notes :

- * Pulse width ≤ 300 μs, duty cycle ≤ 2 %
- ** Mounted on Large Heat Sink
- *** Limited by bonding wire

4. Marking Information

| Product Name | Marking |
|--------------|--|
| KJ6080K | <div style="display: inline-block; border: 1px solid black; padding: 2px;">6080 YWWXXX</div> YWW: Date Code |

5. Ordering Code

| Product Name | Package | Reel Size | Tape width | Quantity | Note |
|--------------|---------|-----------|------------|----------|------|
| KJ6080K | T0252 | | | 2500 | |

Note: KUAJIEXIN defines " Green " as lead-free (RoHS compliant) and halogen free (Br or Cl does not exceed 900 ppm by weight in homogeneous material and total of Br and Cl does not exceed 1500 ppm by weight; Follow IEC 61249-2-21 and IPC / JEDEC J-STD-020C)



6. Electrical Characteristics ($T_A=25^\circ$ Unless Otherwise Noted)

| Symbol | Parameter | Conditions | Min | Typ | Max | Unit |
|--|--------------------------------|---|-----|------|-----------|---------------|
| Static Characteristics | | | | | | |
| BV_{DSS} | Drain-Source Breakdown Voltage | $V_{GS} = 0\text{ V}, I_{DS} = 250\ \mu\text{A}$ | 60 | - | - | V |
| $V_{GS(th)}$ | Gate Threshold Voltage | $V_{DS} = V_{GS}, I_{DS} = 250\ \mu\text{A}$ | 2.0 | - | 4.0 | V |
| I_{DSS} | Drain Leakage Current | $V_{DS} = 60\text{ V}, V_{GS} = 0\text{ V}$ | - | - | 1 | μA |
| I_{GSS} | Gate Leakage Current | $V_{GS} = 0\text{ V}, V_{GS} = \pm 20\text{ V}$ | - | - | ± 100 | nA |
| $R_{DS(ON)}^a$ | On-State Resistance | $V_{GS} = 10\text{ V}, I_{DS} = 20\text{ A}$ | - | 7 | 8 | m Ω |
| Diode Characteristics | | | | | | |
| V_{SD}^a | Diode Forward Voltage | $I_{SD} = 20\text{ A}, V_{GS} = 0\text{ V}$ | - | - | 1.2 | V |
| Dynamic Characteristics ^b | | | | | | |
| C_{iss} | Input Capacitance | $V_{GS} = 0\text{ V}, V_{DS} = 30\text{ V}$ Frequency = 1 MHz | - | 4000 | - | pF |
| C_{oss} | Output Capacitance | | - | 290 | - | |
| C_{rss} | Reverse Transfer Capacitance | | - | 210 | - | |
| $t_d(on)$ | Turn-on Delay Time | $V_{DS} = 30\text{ V}, V_{GEN} = 10\text{ V},$ $R_G = 4.5\ \Omega, R_L = 1.5\ \Omega,$ $I_{DS} = 20\text{ A}$ | - | 8.5 | - | ns |
| t_r | Turn-on Rise Time | | - | 7 | - | |
| $t_d(off)$ | Turn-off Delay Time | | - | 40 | - | |
| t_f | Turn-off Fall Time | | - | 15 | - | |
| Gate Charge Characteristics ^b | | | | | | |
| Q_g | Total Gate Charge | $V_{DS} = 30\text{ V}, V_{GS} = 10\text{ V},$ $I_{DS} = 20\text{ A}$ | - | 90 | - | nC |
| Q_{gs} | Gate-Source Charge | | - | 9 | - | |
| Q_{gd} | Gate-Drain Charge | | - | 18 | - | |

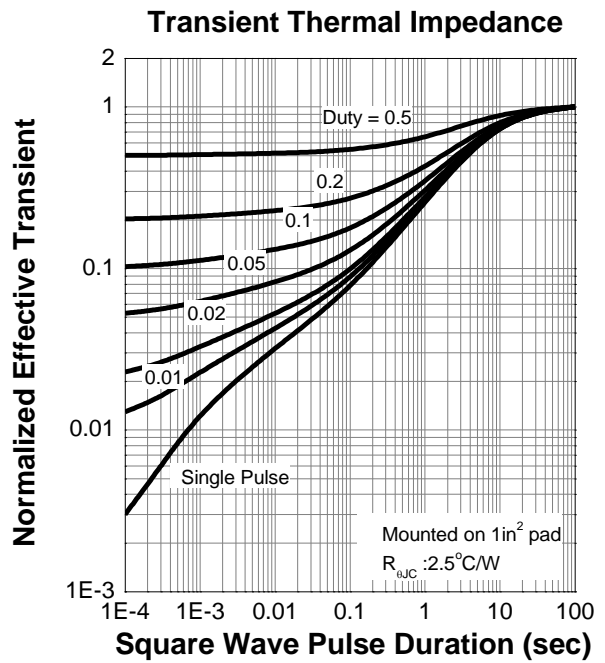
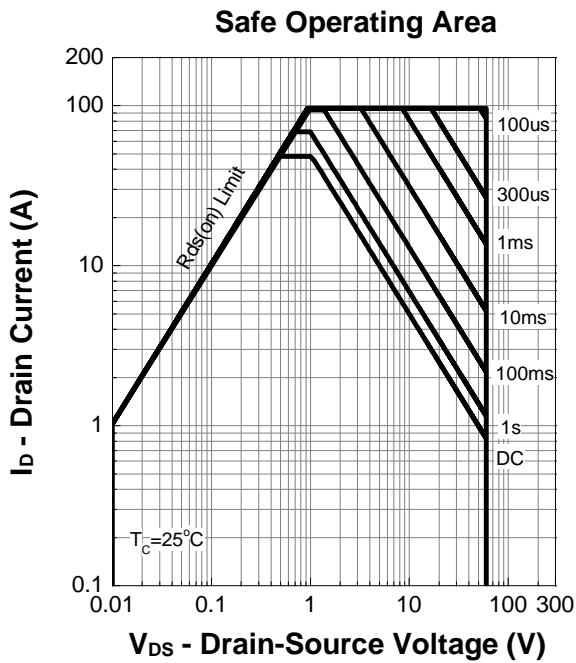
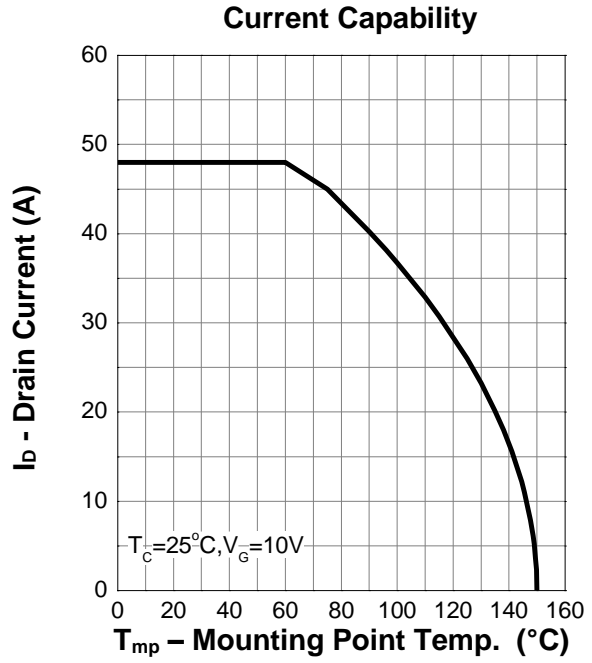
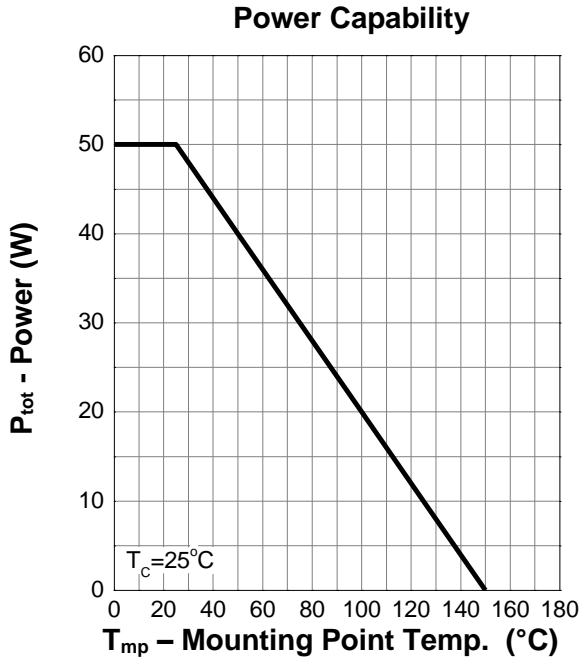
Notes :

a : Pulse test ; pulse width $\leq 300\ \mu\text{s}$, duty cycle $\leq 2\%$

b : Guaranteed by design, not subject to production testing

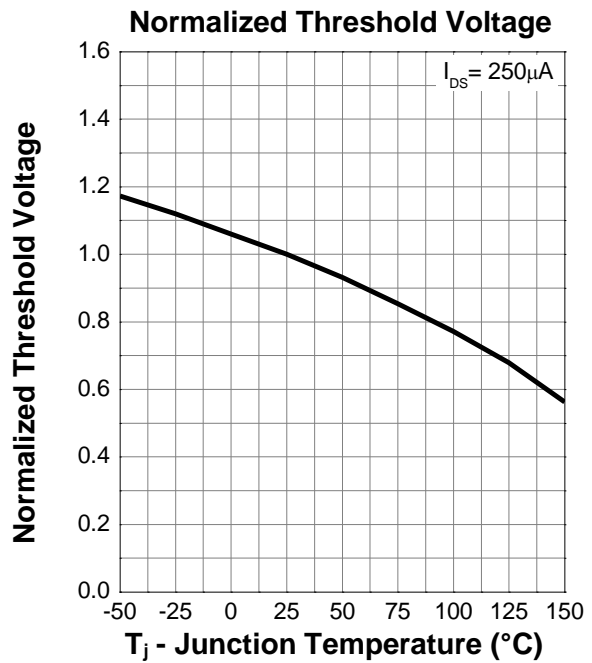
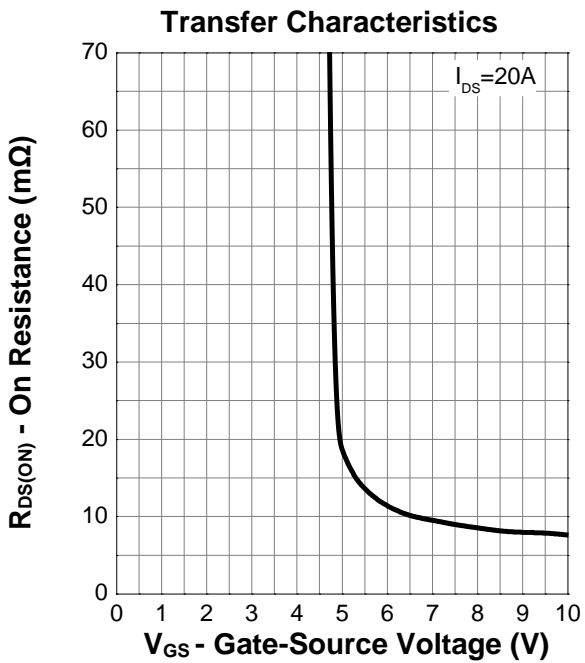
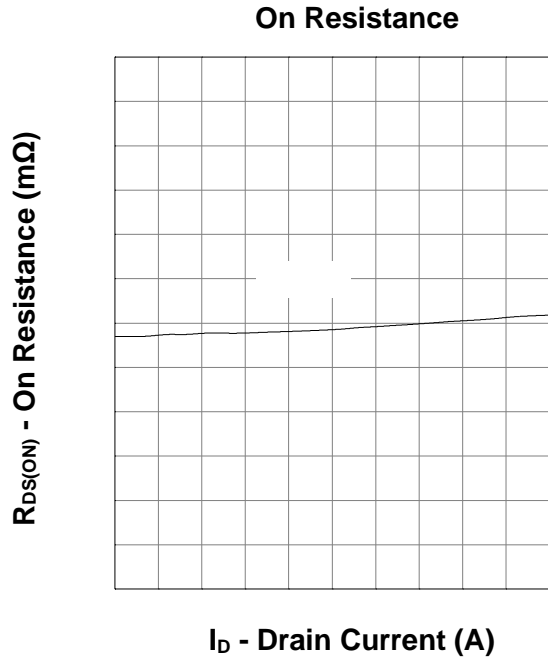
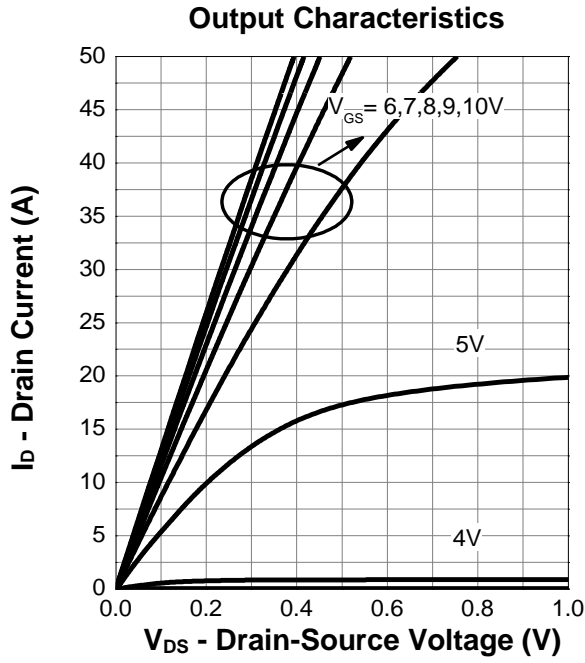


7. Typical Characteristics



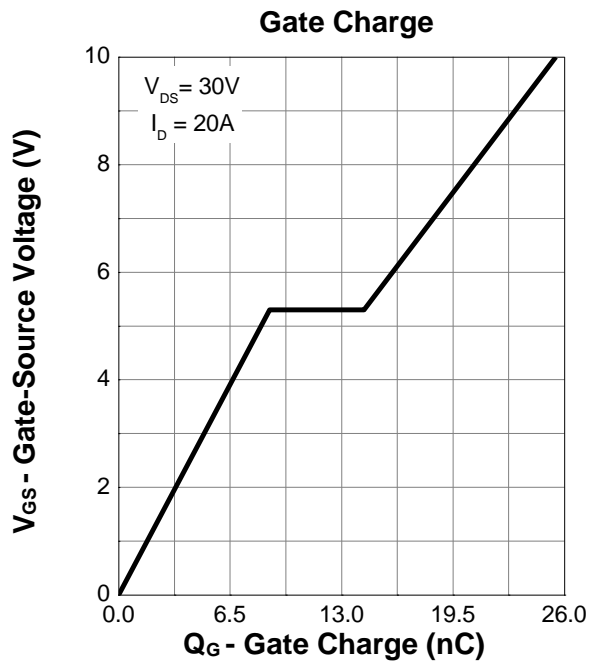
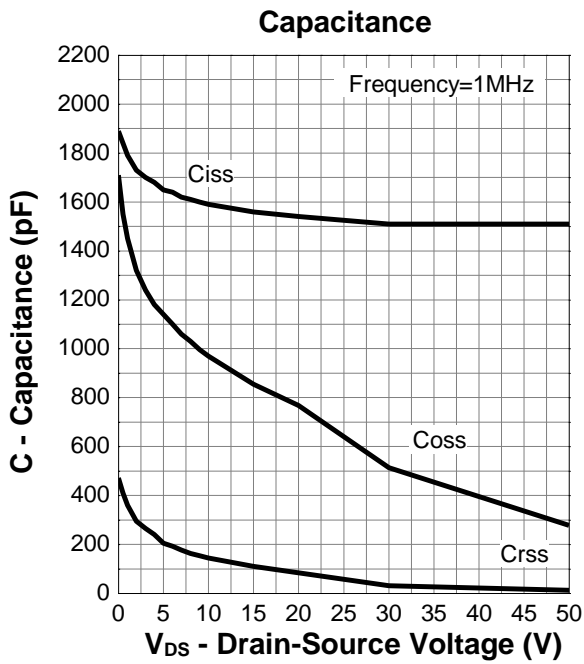
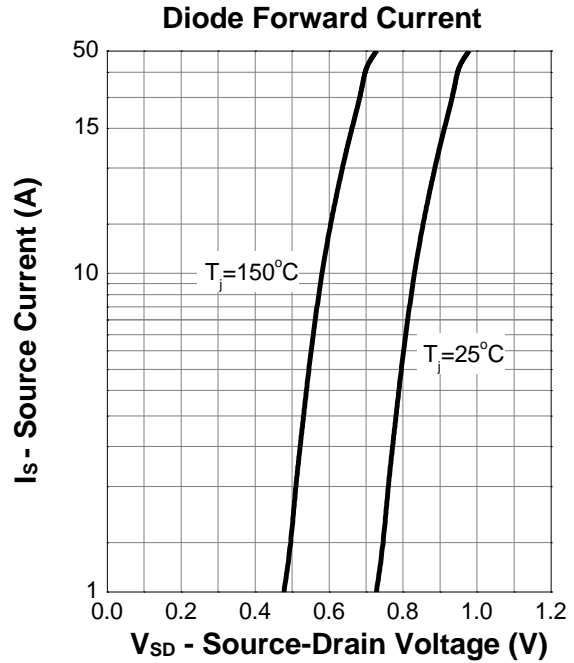
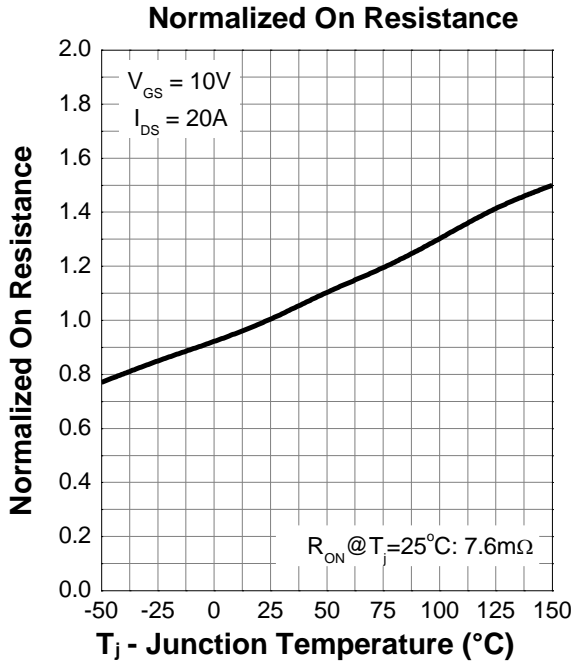


7. Typical Characteristics (cont.)





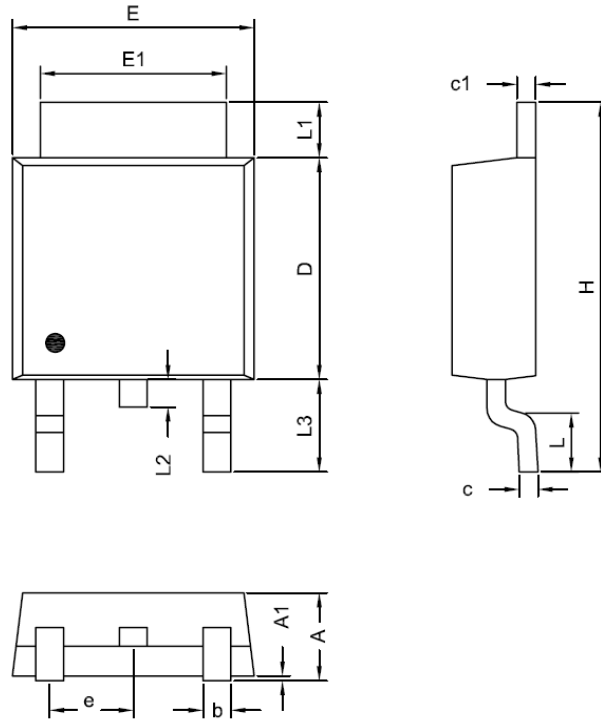
7. Typical Characteristics (cont.)





8.Package Dimensions

T0252-3L



| Symbol | Dimensions In Millimeters | |
|--------|---------------------------|-------|
| | MIN. | MAX. |
| A | 2.19 | 2.38 |
| A1 | 0.02 | 0.13 |
| D | 5.30 | 6.40 |
| E | 6.35 | 6.80 |
| E1 | 5.20 | 5.50 |
| c | 0.40 | 0.60 |
| c1 | 0.40 | 0.60 |
| b | 0.55 | 0.85 |
| e | 2.30 BCS | |
| L | 1.00 | 1.80 |
| L1 | 0.70 | 1.80 |
| L2 | 0.70 BCS | |
| L3 | 2.40 | 2.80 |
| H | 9.20 | 10.40 |