

N-Channel Enhancement Mode MOSFET

1. Product Information

1.1 Features

- Surface-mounted package
- Advanced trench cell design

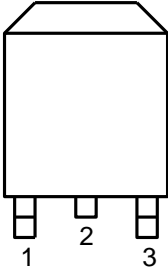
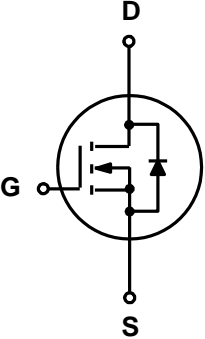
1.2 Applications

- LCD TV appliances
 LCDM appliances
- High power inverter system

1.3 Quick reference

- $BV \geq 60\text{ V}$
 $P_{tot} \leq 35\text{ W}$
 $I_D \leq 25\text{ A}$
- $R_{DS(ON)} \leq 50\text{m}\Omega @ V_{GS} = 10\text{ V}$
 $R_{DS(ON)} \leq 58\text{m}\Omega @ V_{GS} = 4.5\text{ V}$

2. Pin Description

Pin	Description	Simplified Outline	Symbol
1	Gate(G)	 <p style="text-align: center;">Top View TO252</p>	
2	Drain(D)		
3	Source(S)		



3. Limiting Values

Symbol	Parameter	Conditions	Min	Max	Unit
V _{DS}	Drain-Source Voltage	T _C = 25 °C	60	-	V
V _{GS}	Gate-Source Voltage	T _C = 25 °C	-	±20	V
I _D	Drain Current (DC)	T _C = 25 °C, V _{GS} = 10 V	-	25	A
		T _C = 100 °C, V _{GS} = 10 V	-	15	A
I _{DM} ^{*,***}	Drain Current (Pulsed)	T _C = 25 °C, V _{GS} = 10 V	-	40	A
P _{tot}	Drain power dissipation	T _C = 25 °C	-	35	W
T _{stg}	Storage Temperature		-55	150	°C
T _J	Junction Temperature		-	150	°C
I _S	Continuous-Source Current	T _C = 25 °C	-	25	A
R _{θJA} ^{**}	Thermal Resistance- Junction to Ambient		-	50	°C/W
R _{θJC} ^{**}	Thermal Resistance- Junction to Case		-	3.5	

Notes :

- * Pulse width ≤ 300 μs, duty cycle ≤ 2 %
- ** Mounted on Large Heat Sink
- *** Limited by bonding wire

4. Marking Information

Product Name	Marking
KJ25N06K	<div style="display: inline-block; background-color: black; color: white; padding: 2px;">25N06 YWWXXX</div> YWW: Date Code

5. Ordering Code

Product Name	Package	Reel Size	Tape width	Quantity	Note
KJ25N06K	T0252			2500	

Note: KUAJIEXIN defines “ Green ” as lead-free (RoHS compliant) and halogen free (Br or Cl does not exceed 900 ppm by weight in homogeneous material and total of Br and Cl does not exceed 1500 ppm by weight; Follow IEC 61249-2-21 and IPC / JEDEC J-STD-020C)



快捷冠

KJ25N06K

6. Electrical Characteristics ($T_A=25^\circ$ Unless Otherwise Noted)

Symbol	Parameter	Conditions	Min	Typ	Max	Unit
Static Characteristics						
BV_{DSS}	Drain-Source Breakdown Voltage	$V_{GS} = 0\text{ V}, I_{DS} = 250\ \mu\text{A}$	60	-	-	V
$V_{GS(th)}$	Gate Threshold Voltage	$V_{DS} = V_{GS}, I_{DS} = 250\ \mu\text{A}$	1.0	-	2.0	V
I_{DSS}	Drain Leakage Current	$V_{DS} = 48\text{ V}, V_{GS} = 0\text{ V}$	-	-	1	μA
I_{GSS}	Gate Leakage Current	$V_{GS} = 0\text{ V}, V_{GS} = \pm 20\text{ V}$	-	-	± 100	nA
$R_{DS(on)}^a$	On-State Resistance	$V_{GS} = 10\text{ V}, I_{DS} = 6\text{ A}$	-	45	50	$\text{m}\Omega$
		$V_{GS} = 4.5\text{ V}, I_{DS} = 4\text{ A}$	-	50	58	
Diode Characteristics						
V_{SD}^a	Diode Forward Voltage	$I_{SD} = 6\text{ A}, V_{GS} = 0\text{ V}$	-	-	1.3	V
t_{rr}	Reverse Recovery Time	$I_{DS} = 6\text{ A}, V_{GS} = 0\text{ V}$ $di_{SD}/dt = 100\text{ A}/\mu\text{s}$	-	26	-	nS
Q_{rr}	Reverse Recovery Charge		-	2.8	-	μC
Dynamic Characteristics ^b						
C_{iss}	Input Capacitance	$V_{GS} = 0\text{ V}, V_{DS} = 30\text{ V}$ Frequency = 1 MHz	-	651	-	pF
C_{oss}	Output Capacitance		-	28	-	
C_{riss}	Reverse Transfer Capacitance		-	26	-	
$t_d(on)$	Turn-on Delay Time	$V_{DS} = 30\text{ V}, V_{GEN} = 10\text{ V},$ $R_G = 4.5\ \Omega, R_L = 5\ \Omega,$ $I_{DS} = 6\text{ A}$	-	5	-	nS
t_r	Turn-on Rise Time		-	21	-	
$t_d(off)$	Turn-off Delay Time		-	15	-	
t_f	Turn-off Fall Time		-	23	-	
Gate Charge Characteristics ^b						
Q_g	Total Gate Charge	$V_{DS} = 30\text{ V}, V_{GS} = 10\text{ V},$ $I_{DS} = 6\text{ A}$	-	12	-	nC
Q_{gs}	Gate-Source Charge		-	3	-	
Q_{gd}	Gate-Drain Charge		-	1.5	-	

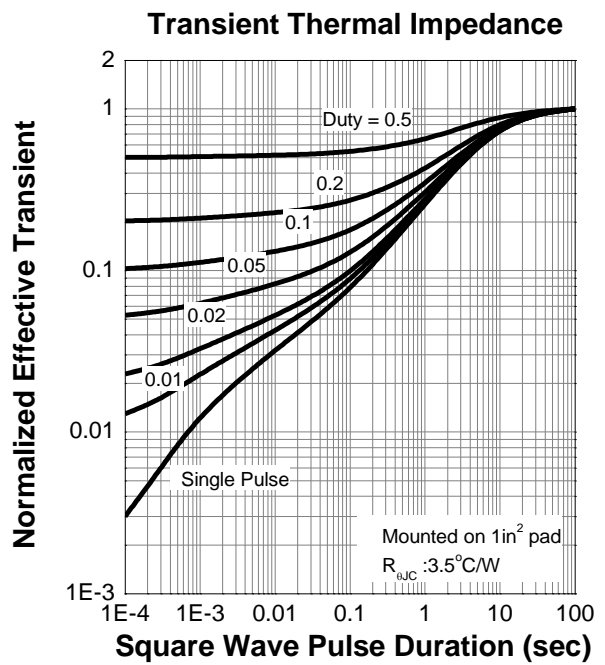
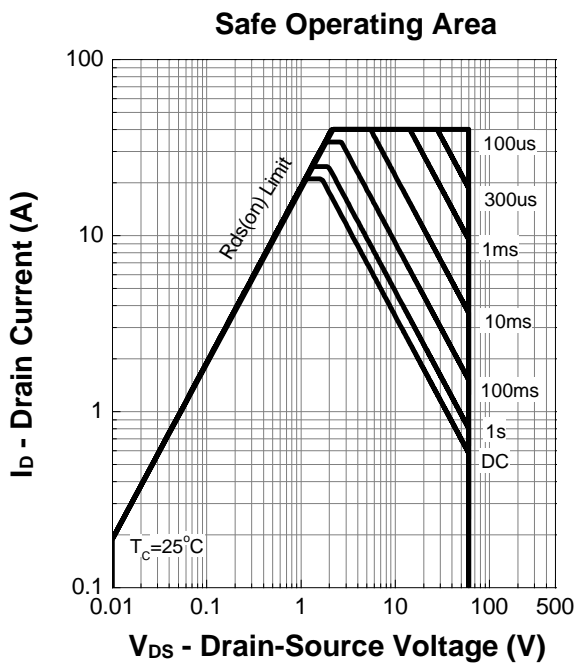
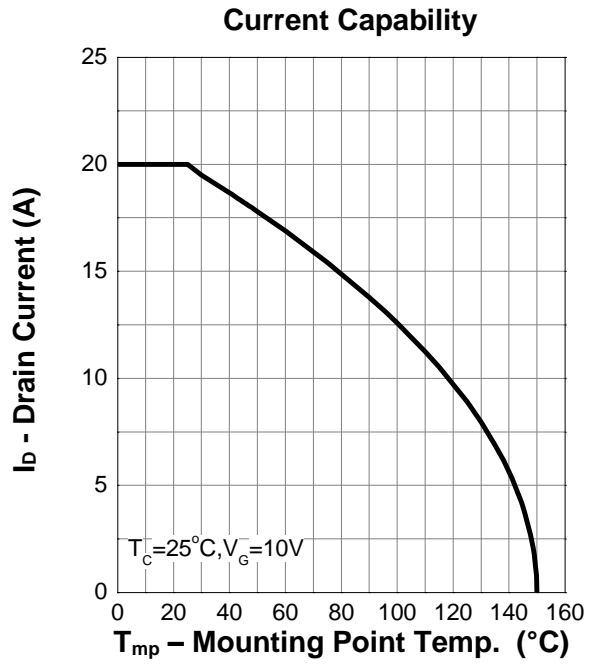
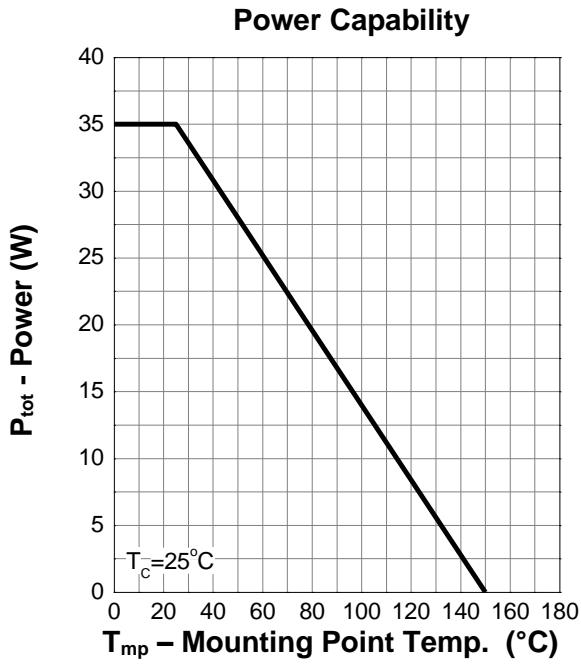
Notes :

a : Pulse test ; pulse width $\leq 300\ \mu\text{s}$, duty cycle $\leq 2\%$

b : Guaranteed by design, not subject to production testing

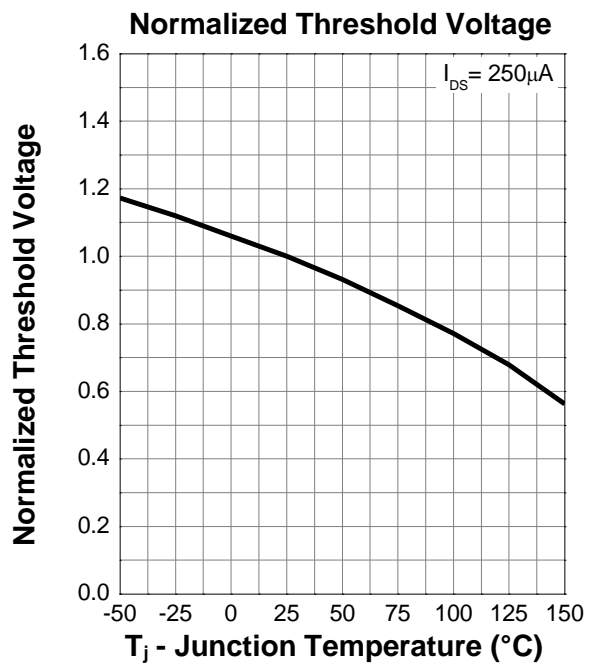
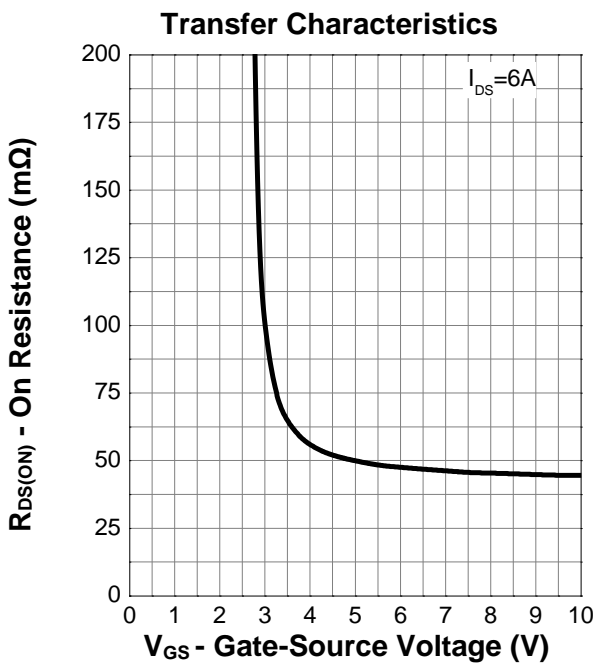
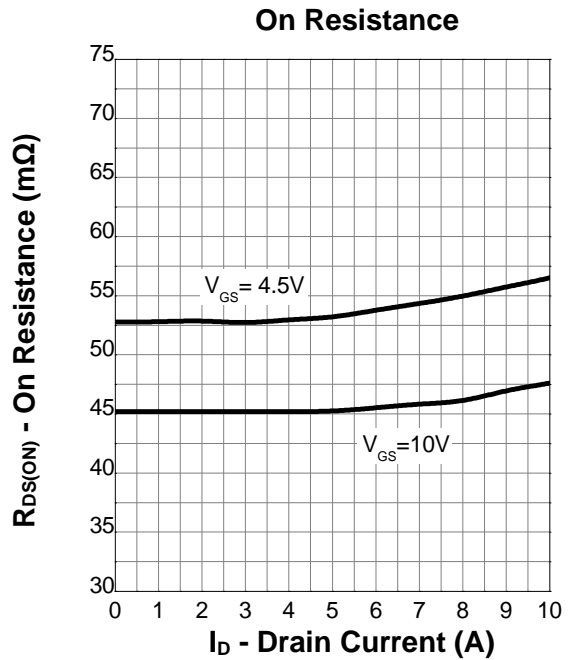
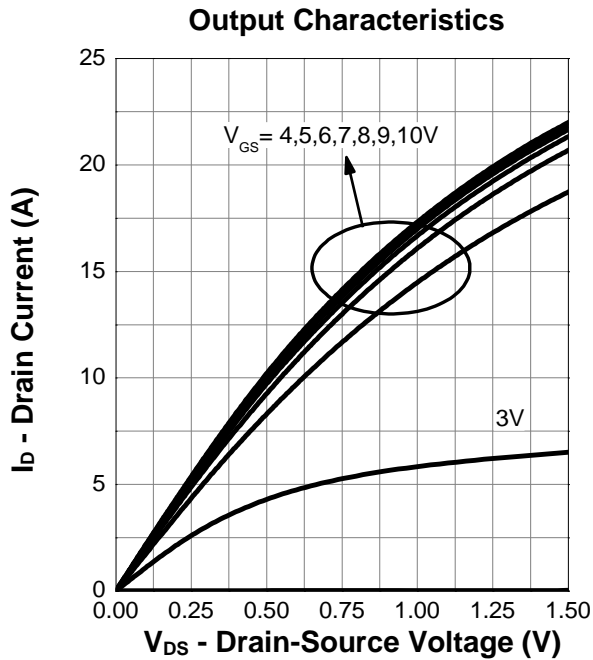


7. Typical Characteristics



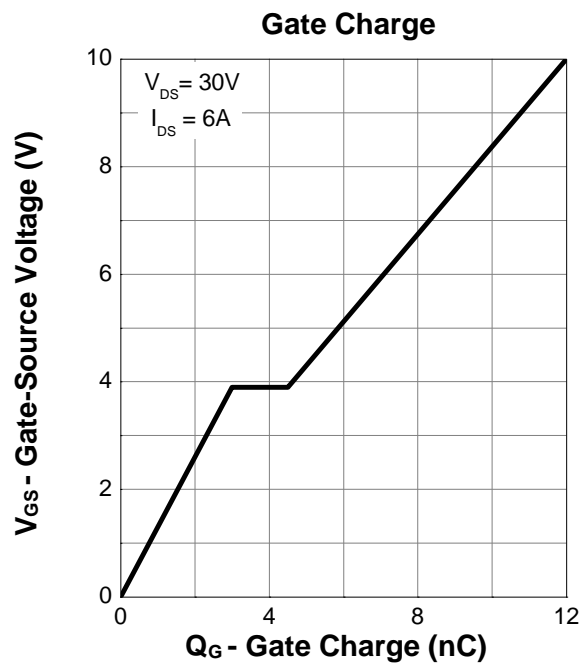
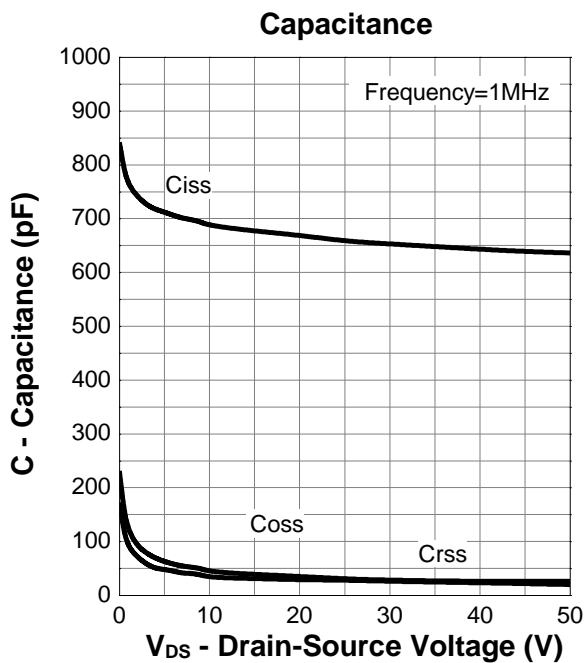
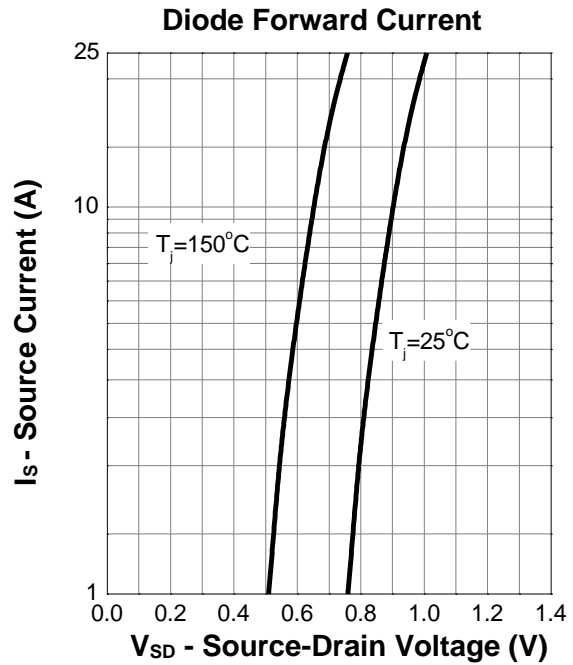
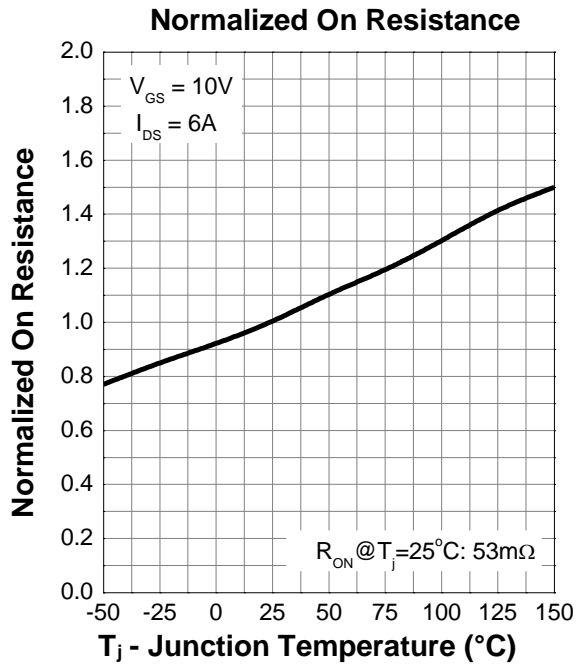


7. Typical Characteristics (cont.)





7. Typical Characteristics (cont.)



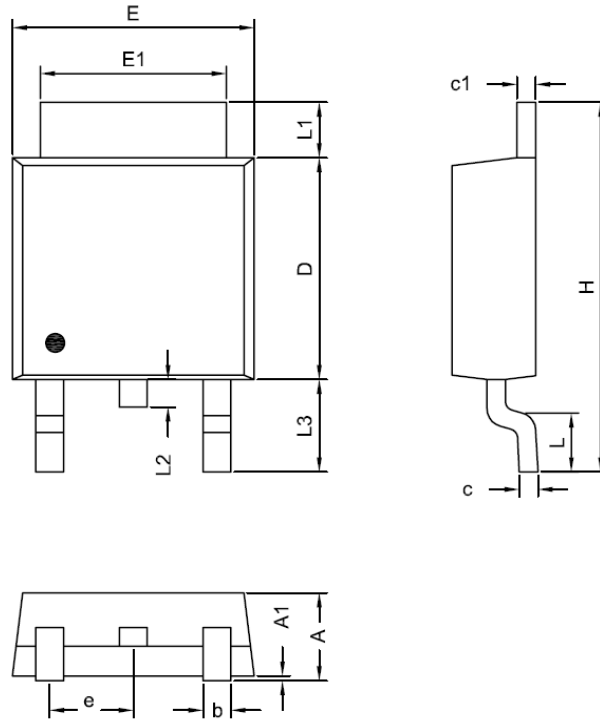


快捷冠

KJ25N06K

8.Package Dimensions

T0252-3L



Symbol	Dimensions In Millimeters	
	MIN.	MAX.
A	2.19	2.38
A1	0.02	0.13
D	5.30	6.40
E	6.35	6.80
E1	5.20	5.50
c	0.40	0.60
c1	0.40	0.60
b	0.55	0.85
e	2.30 BCS	
L	1.00	1.80
L1	0.70	1.80
L2	0.70 BCS	
L3	2.40	2.80
H	9.20	10.40